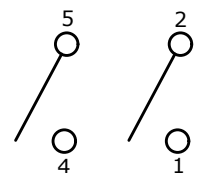


SUGGESTED PANEL CUTOUT

PANEL THICKNESS	(X) +.10mm/-.00mm
1.5 - 2.0 mm	36.8 mm
2.0 - 3.0 mm	37.2 mm
3.0 - 4.0 mm	37.5 mm

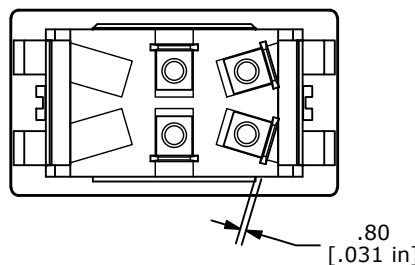
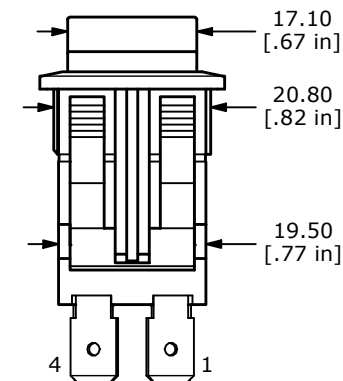
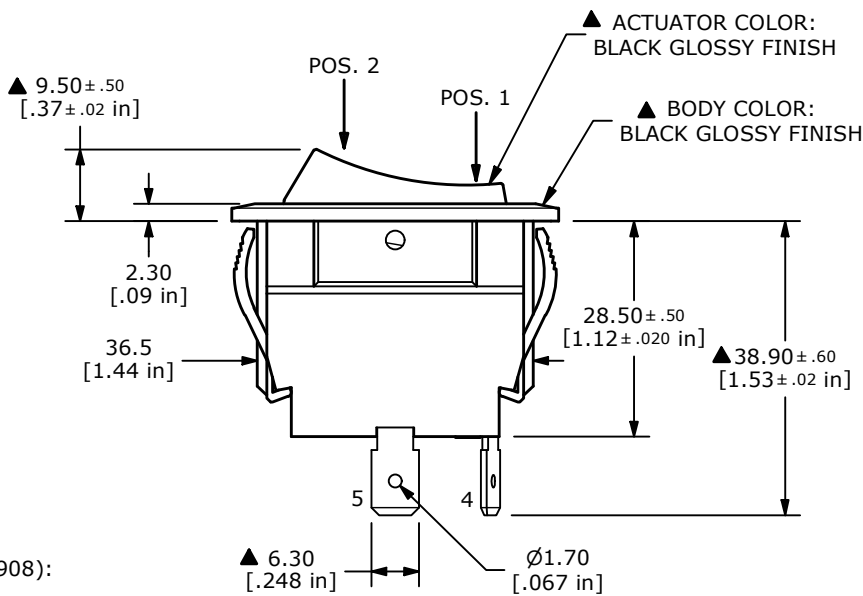
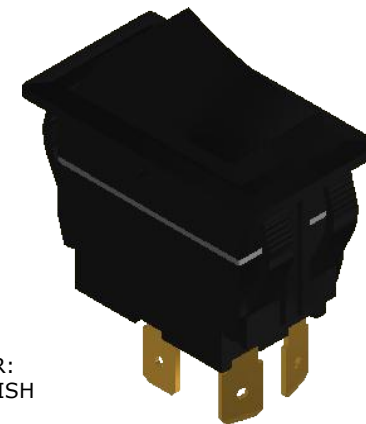
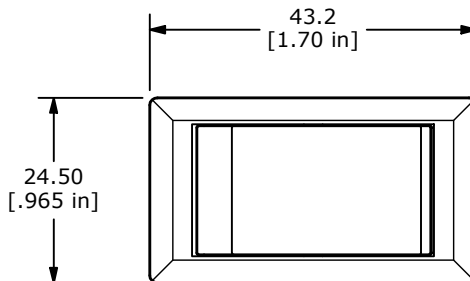
SWITCH FUNCTION	
POS. 2	POS. 1
ON	OFF
2-1, 5-4	OPEN



▲ CIRCUIT: DPST
OFF - ON
MAINTAINED

NOTES:

1. ALL DIMENSIONS IN MM [INCH]
2. GENERAL TOLERANCE: X.X ± 0.5
X.XX ± 0.3
- ▲ 3. RATINGS: ANSI/UL 508 AND CAN/CSA C22.2 NO.14 (E195908):
20A, 125VAC [cURus]
15A, 277VAC [cURus]
2HP, 110/250VAC [cURus]
4. CONTACT RESISTANCE: 50 mΩ MAX. @ 50VAC
5. INSULATION RESISTANCE: 2 MΩ MIN. @ 500VDC
6. OPERATING TEMPERATURE: 0°C to +55°C [cURus, CSA]
0°C to +55°C [VDE]
7. ELECTRICAL LIFE: 6,000 CYCLES [cURus]
8. DIELECTRIC STRENGTH: 1,500V FOR 1 MINUTE
10. INGRESS PROTECTION: IP54
11. ▲ DENOTES CRITICAL PARAMETER



REV	PCR NO	DESCRIPTION	DATE	BY
D	24807	UPDATED DIMENSIONS, CUTOUT, NOTES	3/19/21	JM
C	24088	correct to show with 6.3mm term.	11/11/19	MW
B	22502	UPDATED NOTES	5/18/17	MJR
A	20136	INITIAL RELEASE	9/7/11	BGL



TITLE RVWG42D1100				
SCALE 1:1	DATE 9/7/2011	DR BGL	DWG 34-RVWG42D1100	REV D

THE INFORMATION CONTAINED IN THIS DOCUMENT IS PROPRIETARY TO E-SWITCH AND IS NOT TO BE COPIED OR TRANSFERRED